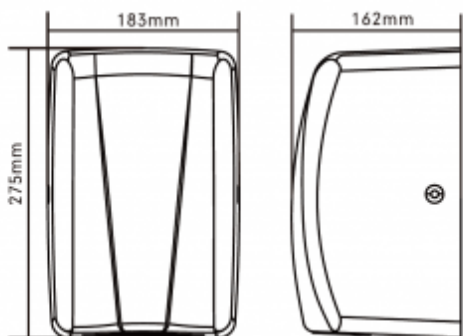




Suszarka do rąk MKUVC

- The highest quality housing, made of 1.2 mm thick AISI 304 stainless steel
- Polished finish
- Equipped with a UV lamp
- Quiet work only 70dB
- Small size
- Vandal-proof
- Led sensor
- HEPA filter
- Low energy demand
- Environmentally friendly
- Easy and quick disinfection

Housing	Stainless steel AISI 304
Finish	Polished
Action	Photocell
Dimensions	183 x 275 x 162 mm
Tension	220 – 240 V, 50/60 Hz
Total power	1000 W
Volume level	70 dB
Air velocity	396 km/h
Drying time	~12 s
Energy class	IPX3
Weight	2,2 kg



Hand dryer for photocell, made of 304 stainless steel with 1.2mm thick to protect against corrosion and vandalism. The MKUVC hand dryer is ideal for heavy-duty areas with limited wall space. Equipped with advanced water-blasting technology, the upgraded motor delivers extremely impressive airflow speeds of up to 396 km/h. Fitted with advanced sensors with a stylish blue LED light for washrooms which consequently provides a visible indication of operation and the drying zone ensuring that the users hand's are always in the warm air stream. Fitted with an anti-bacterial HEPA filter to ensure the air used to dry users&HASH39; hands is as clean and hygienic as possible.