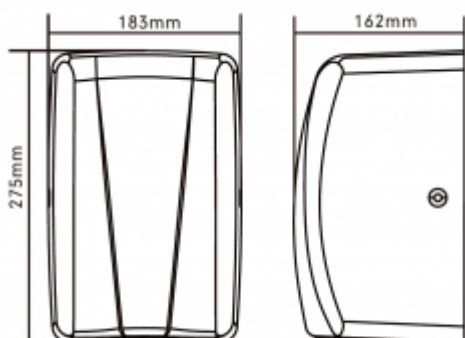




## Suszarka do rąk MKUVS

- The highest quality housing, made of 1.2 mm thick AISI 304 stainless steel
- Satin finish
- Equipped with a UV lamp
- Quiet work only 75dB
- Small size
- Vandal-proof
- Led sensor
- HEPA filter
- Low energy demand
- Environmentally friendly
- Easy and quick disinfection

|              |                          |
|--------------|--------------------------|
| Housing      | Stainless steel AISI 304 |
| Finish       | Satin                    |
| Action       | Photocell                |
| Dimensions   | 183 x 275 x 162 mm       |
| Tension      | 220 - 240 V, 50/60 Hz    |
| Total power  | 1000 W                   |
| Volume level | 75 dB                    |
| Air velocity | 396 km/h                 |
| Drying time  | ~12 s                    |
| Energy class | IPX3                     |
| Weight       | 2,2 kg                   |



Hand dryer for photocell, made of 304 stainless steel with 1.2mm thick to protect against corrosion and vandalism. The MKUVS hand dryer is ideal for heavy-duty areas with limited wall space. Equipped with advanced water-blasting technology, the upgraded motor delivers extremely impressive airflow speeds of up to 396 km/h. Fitted with advanced sensors with a stylish blue LED light for washrooms which consequently provides a visible indication of operation and the drying zone ensuring that the users hand's are always in the warm air stream. Fitted with an anti-bacterial HEPA filter to ensure the air used to dry users&HASH39; hands is as clean and hygienic as possible.