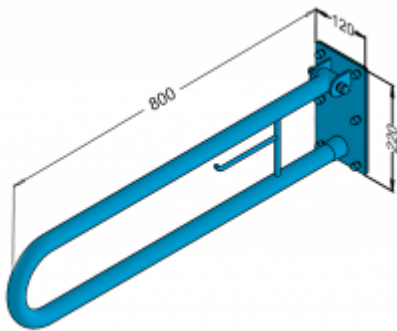




Swing handle with space for 80cm paper

- Holder for an additional roll of paper
- Screw covers
- Mounting kit included
- Silicone pads to eliminate unevenness
- Easy to clean

Material	Carbon steel
Finish	Powder coated in white
Type of coating	Polyester paint
Coating thickness	120 μ
Handrail type	Tilting, arched, wall with paper space
Handrail length	800 mm
Tube diameter	\varnothing 32mm
The wall thickness	1,5 mm
Maximum load	120 kg
Hole diameter	\varnothing 6,5 mm
Number of fixing holes	6
Includes	6x60 mm screws, 10x60 mm plugs



Handrail for disabled people, arched, tilted, wall with space for toilet paper, 800 mm long, general purpose, made of 32 mm diameter carbon steel tube, powder coated, white. We use this type of handrail in the wc area.