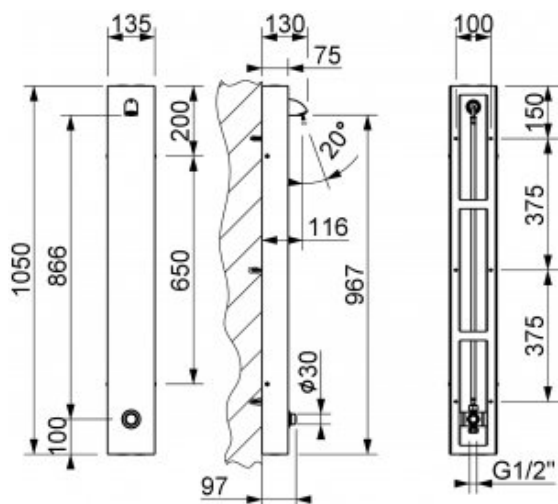




Time battery 6050R

- Water flow time adjustment
- Tilt-adjustable spout.
- Water pressure reduction
- Exceptional durability and reliability
- The product is entirely made in the European Union
- Simple operation
- Easy assembly

Option	For cold or mixed water
Connector	1/2"
Water time flow	25 seconds
Start	Using the button
Recommended pressure	2-4 [bar]
Water temperature	5-65 °C
Water pressure reductor	up to 8l/min



Self-closing shower panel with G1/2 connection for cold or mixed water. The faucet head is made of brass, while the rest of the panel is made of stainless steel.

A single water flow lasts approximately 25 seconds, with a water flow of 8 l/m (at a working pressure of 3 bar). The whole has a reducer of time and water flow. Moreover, the spout of the shower column is movable and has an anti-scale system.