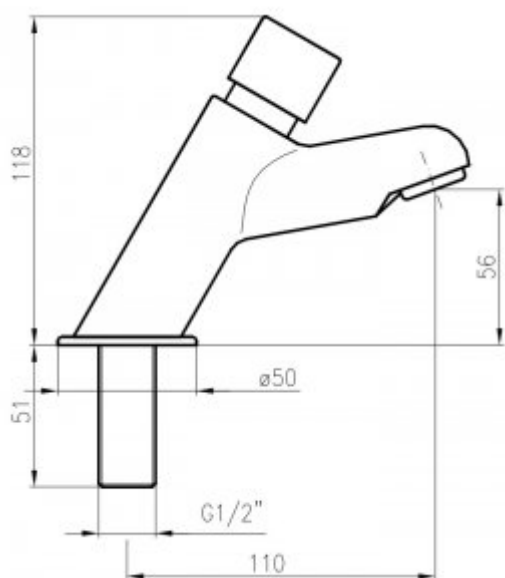


Time battery 8000

- The body is made of chrome-plated brass
- High resistance to vandalism due to the highest quality materials
- Exceptional durability and reliability
- The product is entirely made in the European Union
- Simple operation
- Easy assembly

Connector	1/2"
Mixer	No
Design	Chrome-plated brass
Water time flow	Adjustable from 8-12 seconds \pm 5 second
Start	Button
Water Temperature	5-65°C
Water pressure reduction	up to 6l / min
Operating pressure	Min 1 bar - Max 6 bar
Economical	Yes



A push-button timer with a one 1/2" connection for cold or mixed water is a product that will be perfect for medium-sized public spaces such as gyms, saunas, swimming pools, hostels, and others. The faucet should be connected to the cold or warm pre-mixed water system.

The body of the 8000 time battery is made of brass with a chrome-plated layer. Moreover, the offered fittings have a vandal-resistant finish.