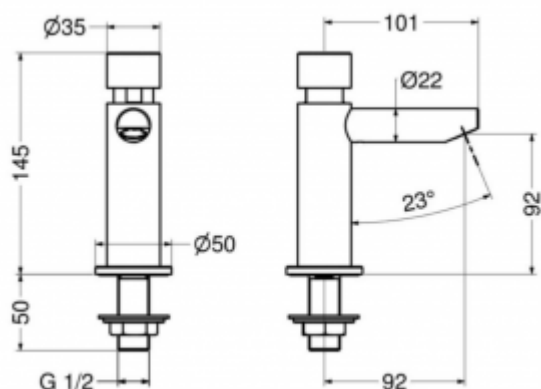




Time battery 9081

- The body is made of chrome-plated brass
- Two variants: 9081 universal, 9081/M with an under-washbasin mixer,
- High resistance to vandalism
- Modern pattern
- Exceptional durability and reliability
- The product is entirely made in the European Union
- Simple operation
- Easy to assemble
- Certificate of the Polish Institute of Hygiene
- CE declaration of conformity
- National Declaration of Performance

Option	For mixed water
Connector	G1/2
Mixer	2xG1 / 2 under-basin - only with 9081/M
Design	Chrome-plated brass
Water time flow	Adjustable about 15 seconds
Start	By means of the button
Water pressure reductor	up to 5l/min.
Water temperature	5-65°C
Water pressure	Min 1 bar - Max 5 bar (Recommended 2-4 bar)



The self-closing basin tap with a moving aerator. The body is made of chrome-plated brass. The tap has one G1 / 2 connection. A single outflow of water takes about 15 seconds (at a water pressure of 3 bar). The amount of water used is 5 l / m. The minimum connection pressure is 1 bar, the maximum is 5 bar. It is worth adding that the recommended connection pressure should be 2-4 bar.

The 8141 is available in two variants:

- 9081 universal variant, equipped with one 1/2 connection;
- 9081/M variant equipped with 2 x G1 / 2 concealed mixer.