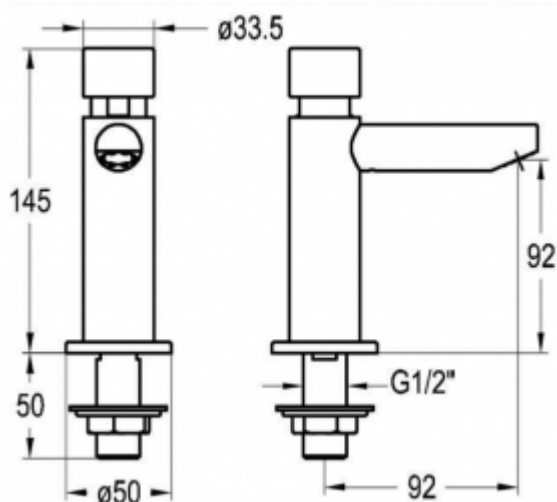




Time battery 9081INOX

- The body is made of AISI 316 stainless steel
- Exceptional durability and reliability
- The product is entirely made in the European Union
- Simple operation
- Easy assembly
- AISI 316 stainless steel brushed finishing body
- Push-button control
- Self-closing time 15 secs at 3 bars (not adjustable)
- Flow limiter 5 l/min

Option	For mixed water
Connector	G1/2
Mixer	2xG1 / 2 under-basin - only with 9081INOX/M
Design	AISI 316 stainless steel
Water time flow	Adjustable about 15 seconds
Start	By means of the button
Water pressure reductor	up to 5l/min.
Water temperature	5-65°C
Water pressure	Min 1 bar - Max 5 bar (Recommended 2-4 bar)



The self-closing basin tap with a moving aerator. The body is made of AISI 316 stainless steel. The tap has one G1 / 2 connection. A single outflow of water takes about 15 seconds (at a water pressure of 3 bar). The amount of water used is 5 l / m. The minimum connection pressure is 1 bar, the maximum is 5 bar. It is worth adding that the recommended connection pressure should be 2-4 bar.

The 9081INOX is available in two variants:

- 9081INOX universal variant, equipped with one 1/2 connection;
- 9081INOX/M variant equipped with 2 x G1 / 2 concealed mixer.