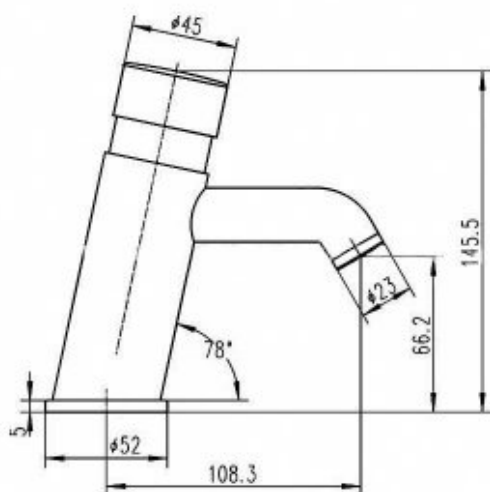




Time battery 9302

- The body is made of chrome-plated brass
 - High resistance to vandalism due to the highest quality materials
 - Exceptional durability and reliability
 - The product is entirely made in the European Union
 - Simple operation
 - Easy assembly
 - PZH certificate, CE declaration
- 9020 washbasin mixer can be used

Option	No mixer
Connector	1/2"
Mixer	None
Design	Vandal resistant - chrome plated brass
Water time flow	Standard ~ 15 seconds
Start	By means of the button
Water pressure reductor	up to 6l / min.
Spout	Equipped with vandal resistant aerator
Contains	Battery, mounting kit for the washbasin



Thanks to its innovative appearance, it works perfectly in bathrooms of high standard rooms such as restaurants, banquet rooms and hotels.