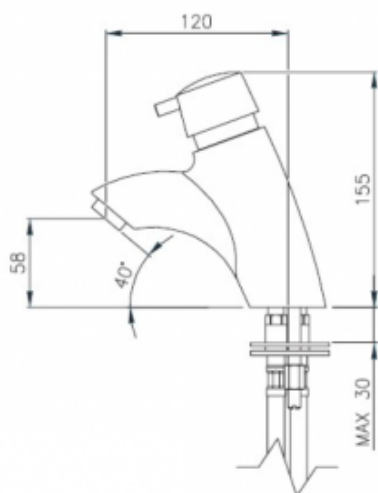




Time battery 9813

- Progressive mixer with anti-burn protection
- Two variants: 9813 universal with mixer and 9813AB with mixer and anti-block system
- The body is made of chrome-plated brass
- Water flow time adjustment
- Water flow regulation
- Aerator Vandal-proof design
- Mixer is located in the battery head
- Exceptional durability and reliability
- Italian product
- Simple operation
- Easy to assemble
- Certificate of the Polish Institute of Hygiene
- CE declaration of conformity
- National Declaration of Performance

Option	With mixer
Connector	2 x 1/2"
Mixer	Progressive mixer with anti-burn protection
Design	Vandal resistant - chrome plated brass
Water time flow	Standard from 10 seconds ± 3 second
Start	By means of the button
Water pressure reductor	up to 6l / min.
Spout	Equipped with vandal resistant aerator
Contains	Battery, 2 hoses 1/2 ", 350 mm long, 2 1/2" fittings equipped with check valves and seals, mounting kit for the wash basin



The washbasin timer with an integrated progressive mixer with anti-burn protection is a modern product used in public spaces. The 9813 faucet is made of corrosion-resistant chrome-plated brass. The progressive mixer has been placed in the faucet head, where, thanks to a small lever, the user can set a convenient temperature of the outgoing water (horizontal lever adjustment). The 9813 battery has two G1 / 2 connections each. A single flow of water at the start of the flow takes about 10 seconds ± 3 seconds (at a water pressure of 3 bar). The amount of water used for a single outflow is approx. 6 l / m. The minimum connection pressure is 0.5 bar, while the maximum is 6 bar, it is worth adding that the recommended connection pressure should be 2-4 bar.

The whole has elements that regulate the time and flow of water, such as:

- **a cup regulating the flow of water**, located in the head;
- **water flow regulator** - included with the faucet, requires manual installation in the connection area;
- **aerator**.

The 9813 tap is available in two variants:

- 9813 universal variant, equipped with one 1/2 connection and a cup, water flow reducer, and an adjustment hole;
- 9813AB variant with an integrated anti-block system, which includes a cup and a flow reducer. The option to adjust the water flow time is not available.

A mounting kit is included with each 9813 line battery. What's more, the whole thing is certified by the Polish Institute of Hygiene, CE Declaration of Conformity, and the National Declaration of Performance.