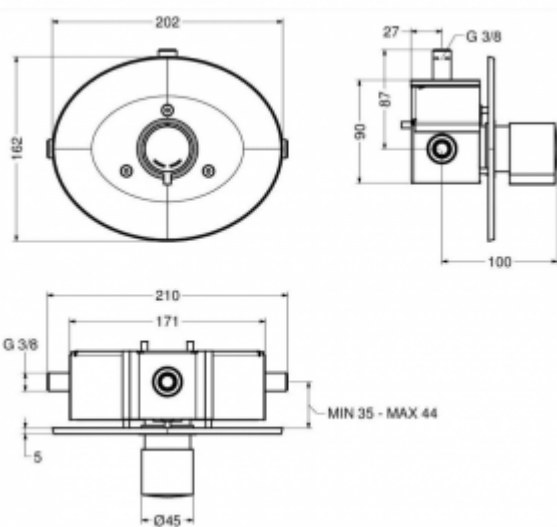




Time battery with anti-blocking system 9010MIXAB

- Exceptional durability and reliability
- The product is entirely made in the European Union
- Simple operation
- Easy assembly
- Activation and mixing by handle
- Device with anti-blocking system: water flows only after releasing the push button
- Self-closing time 15 secs at 3 bars (reducible)
- Flow limiter 8 l/min
- Check valves and filters included
- Covering plate in chromed ABS
- Concealed box to help the maintenance operations

Connector	2 x 3/8"
Mixer	Yes
Design	Chrome-plated brass
Start	Button
Water Temperature	5-65°C
Operating pressure	Min 1 bar - Max 5 bar



The self-closing flush-mounted mixer with 3/8" connections for cold and hot water is a product that was made of chrome-plated brass and that is adapted for wall mounting for shower cabins. The self-closing cartridge is activated by a button located in the central part of the mixer. An anti-blocking system is built into the mixer, i.e. a system that works as follows: ,

- The water flows out when the button is released - in standard mixers and taps, the water flows out when the button is pressed. Mixer 9010MIXAB is available in two mounting variants:
 - mixer only without mounting box - ID 9010MIXAB
 - mixer with an attached mounting box - ID 9010MIX BOX AB
- What's more, in the case of the 9010MIXAB mixer, it is not possible to adjust the water flow time. What's more, there are built-in filters and check valves with a water flow limiter of 8 l / m. In order to increase the safety standard, the manufacturer has used a system that automatically shuts off the water flow after 15 seconds at a pressure of 3 bar. It is worth adding that the product is entirely made in the European Union.