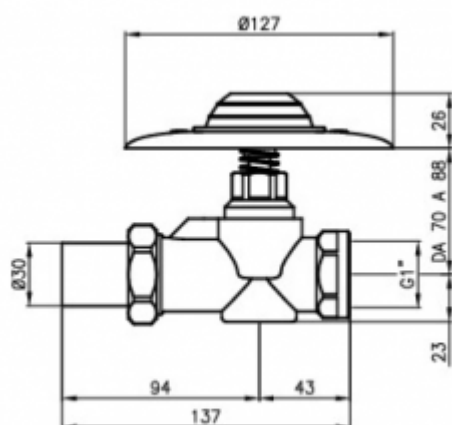




## Time valve 9454

- Impact system
- Button equipped with a thick rubber cover
- The body is made of chrome-plated brass
- High resistance to vandalism due to the highest quality materials
- Exceptional durability and reliability
- Italian product
- Simple operation
- Easy assembly
- PZH certificate, CE declaration

Option	For mixed or cold water
Connector	G1
Design	Brass
Water time flow	Adjustable from 4-6 seconds
Start	By means of the button
Water pressure reductor	up to 6l / min
Water temperature	5-65°C
Water pressure	Min 0,5 bar - Max 6 bar (Recommended 2-4 bar)



WC timer, floor. Intended for toilet bowls with concealed supply or other toilet intakes. Thanks to the floor installation, the flushing machine is ideal for people with disabilities. The button located on the floor has a cover made of thick rubber, thanks to which it is protected against dirt and vandalism. Equipped with an anti-impact system eliminating "hydraulic shock" when closing the valve. Hydraulic shock - a sudden increase in pressure associated with a rapid stop in the flow of liquid, for example by suddenly closing the valve.