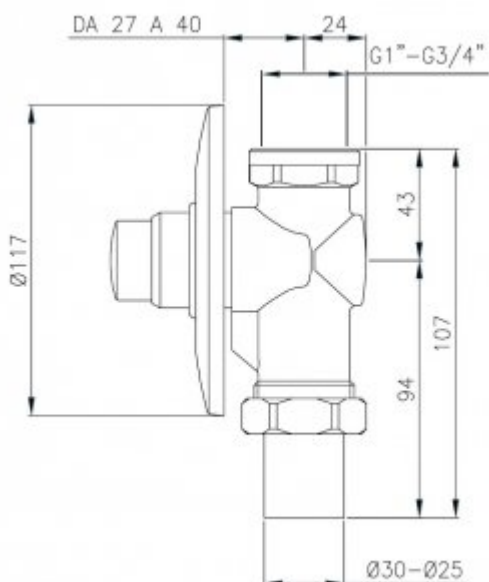




Time valve 9455

- Impact system
- The body with the masking rosette made of chrome-plated brass
- High resistance to vandalism due to the highest quality materials
- Exceptional durability and reliability
- The product is entirely made in the European Union
- Simple operation
- Easy assembly
- PZH certificate, CE declaration .

| | |
|-----------------|--|
| Option | For cold water |
| Connector | 3/4"/1&HASH39; |
| Mixer | None |
| Design | Vandal resistant - chrome plated brass |
| Water time flow | Standard from 3 - 5 seconds \pm 1 second |
| Start | By means of the button |
| Contains | Valve, mounting kit, masking rosette |



WC timer, concealed. Designed for toilet bowls with concealed supply. Equipped with anti-impact system eliminating "hydraulic shock" when closing the valve.
Hydraulic shock - a sudden increase in pressure associated with rapid stoppage of water flow, for example by suddenly closing the valve.