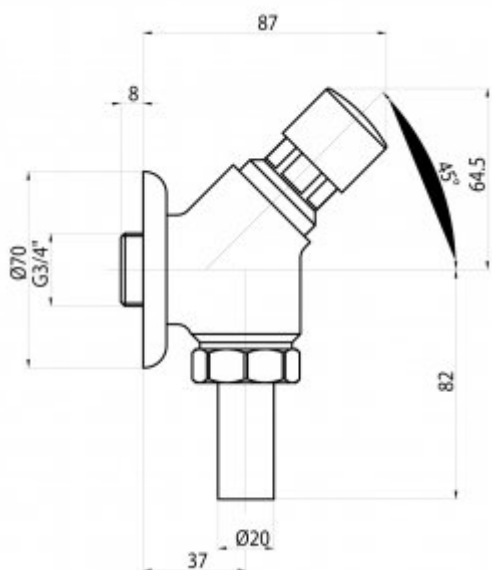




Time valve 9457

- Impact system
- The body is made of chrome-plated brass
- High resistance to vandalism due to the highest quality materials
- Exceptional durability and reliability
- Italian product
- Simple operation
- Easy assembly
- PZH certificate, CE declaration

Option	For cold water
Connector	G3/4
Mixer	None
Design	Vandal resistant - chrome plated brass
Water time flow	Standard from 4 -6 seconds
Start	By means of the button
Water pressure reductor	up to 6l / min.
Contains	Valve, mounting kit, masking rosette



Surface-mounted toilet timer. Designed for toilet bowls with surface-mounted supply. The button located at an angle of 45 ° significantly facilitates the use of the flushing valve. Equipped with anti-impact system eliminating "hydraulic shock" when closing the valve.

Hydraulic shock - a sudden increase in pressure associated with rapid stoppage of water flow, for example by suddenly closing the valve.