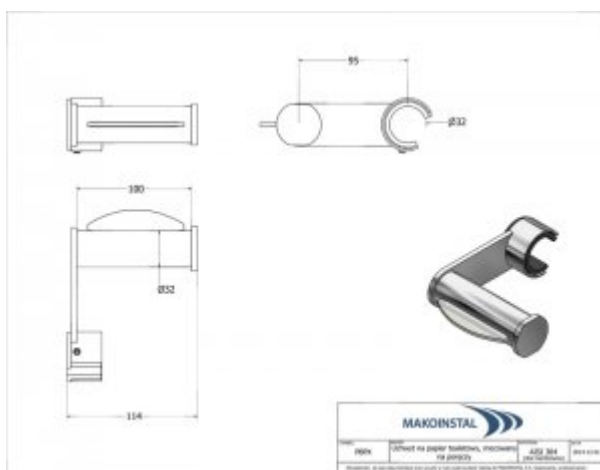




Toilet paper holder PB

- Simple assembly
- Adapted to a tube with a diameter of Ø32
- Corrosion-resistant Intuitive height adjustment
- Easy to clean

Material	ABS plastic
Finish	Gloss/ Mat
Tube diameter	Ø 32 mm
Height adjustment	Yes



Toilet paper holder - polished or matte. The holder is adapted to be mounted on handrails with a thickness of Ø32.