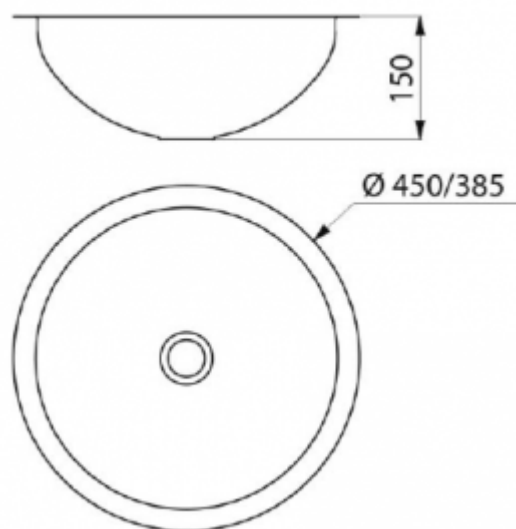




Stainless steel washbasin SB12

- Made of high-class stainless steel AISI 304
- Resistant to mechanical damages
- Special edge, which protects from water
- Available in two finishing options: matt/polished
- Easy to clean
- Durability and reliability
- Easy assembly
- CE certificate

Materiał	Stal nierdzewna 304
Montaż	Ścienny
Wymiary	385x450 mm
Wykonanie Wandaloodporne	Tak
Wykończenie	Matowe



The Makoinstal commercial countertop washbasin is a functional and durable solution designed for public restrooms and facilities with increased hygiene requirements. The product is intended for wall-mounted installation, ensuring excellent stability as well as a clean, modern appearance of the sanitary area.

The washbasin is made of high-quality AISI 304 acid-resistant stainless steel, known for its outstanding resistance to corrosion, rust, and chemical agents. The 1 mm thick steel construction guarantees long-lasting durability while maintaining a lightweight and elegant design. The matte finish, combined with an AFP anti-fingerprint coating, makes the washbasin easy to clean and helps maintain an aesthetic appearance even under intensive use. The internal diameter of the washbasin is 385 mm, while the external diameter is 450 mm, providing comfortable use with compact overall dimensions. An additional advantage is the bacteriostatic surface, which supports a high level of hygiene in public sanitary spaces.

Each washbasin from the SB12 series is certified by the Polish National Institute of Hygiene (PZH) and comes with a CE Declaration of Conformity as well as a National Declaration of Performance, confirming compliance with European quality and safety standards.