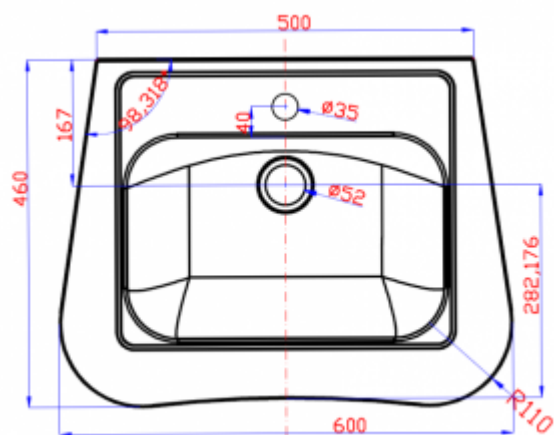




Stainless steel washbasin SB16

- Made of AISI 304 acid-resistant steel
- Matte finish
- Resistant to moisture, corrosion, rust and some acids
- Bacteriostatic surface, inhibiting the growth of microorganisms
- Smooth edges
- High resistance to vandalism
- Can be mounted directly to the wall
- Easy to clean
- Exceptional durability and reliability
- Easy to assemble

Material	Stainless steel AISI 304
Dimensions	600x460x165 mm
Finishing	Satin



The safe SB16 washbasin made of AISI 304 stainless steel is a key product that is the perfect complement to commercial bathrooms for the disabled. It is worth mentioning here that the AISI 304 steel used for production is characterized by high resistance to moisture, rust, corrosion, and also to some acids.

The washbasin has a satin (matte) finish. Its total dimensions are 600x460x165 mm. What's more, the SB16 washbasin has a tap hole with a diameter of 35 mm, a drain hole with a diameter of 52 mm and four mounting holes, thanks to which it is possible to mount it directly to the wall.

Importantly, the presented washbasin has smooth edges, thanks to which the possibility of accidental catching or injury has been eliminated. In addition, the washbasin is accessible to people on a wheelchair, as the driveway area covers the entire under-washbasin area.