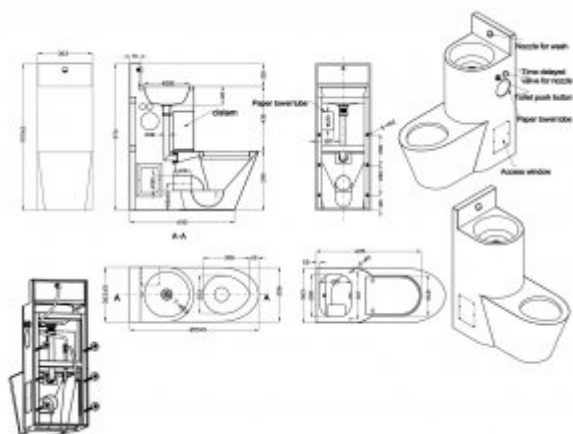




WC compact with sink SM40

- Made of high-class stainless steel AISI 304
- Resistant to mechanical damages
- Perfect for public places exposed for devastation
- Standard water-severage connection
- Easy to clean
- Durability and reliability
- Easy assembly
- CE certificate

Material	stainless steel
Dimensions	855x370x670 mm
Finishing	Matt/polished
Weight	28 kg



WC compact with sink made of stainless steel, has a standard water-severage connection. One-piece toilet is a perfect solution for public places exposed for devastation like prison or night clubs.