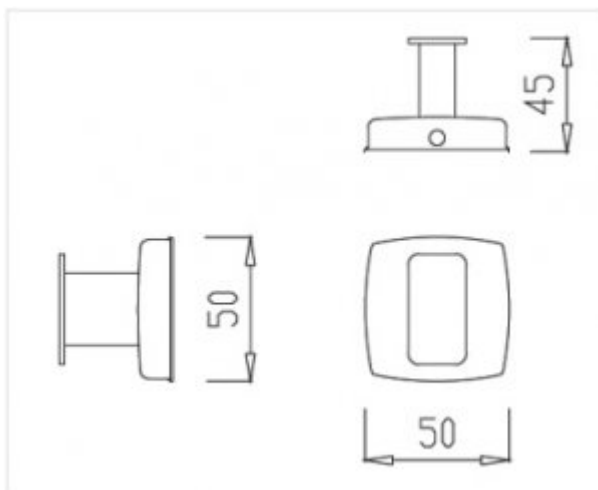




Bathroom hanger Hi1

- modern design
- great workmanship
- simple assembly
- long-lasting performance

Material	Stainless steel, 1.2mm thick
Finish	Polished or matte
Quality	AISI 304
Dimensions	50 x 50 x 45 mm
Assembly	Wall
Includes	Mounting kit included



Bathroom hanger. Fastened to the wall with screws. Made of stainless steel. Finish: matte or polished (gloss).