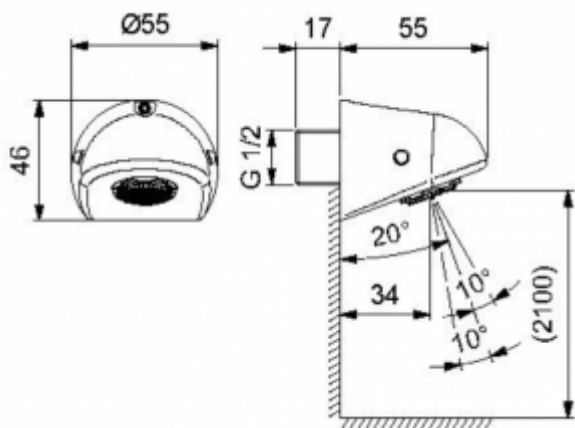




Spout 9013

- The body is made of chrome-plated brass
- Strainer with anti-limescale coating
- High resistance to vandalism due to the highest quality materials
- Exceptional durability and reliability
- The product is entirely made in the European Union
- Simple operation
- Easy assembly
- PZH certificate, CE declaration

Connector	1/2"
Design	chrome plated brass
Tilt adjustment	10 to 30 degrees
Contains	Spout, mounting kit



Shower spout with movable strainer. Made of chrome-plated brass. Adapted for flush mounting. The spout makes it resistant to vandalism. The slim design definitely makes it difficult for the user to devastate the screed by hanging on it, which may result in the screed being pulled out. The strainer has a cover made of rubber, which makes it easier to maintain and less exposed to limescale.