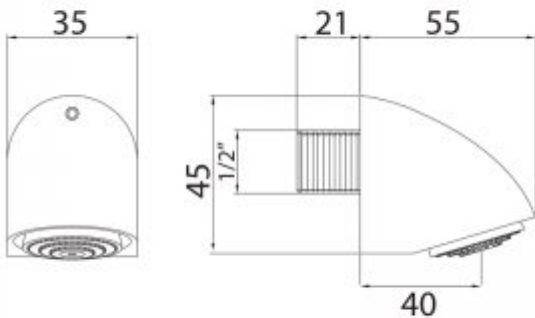




shower spout 9014

- The body is made of chrome-plated brass
- High resistance to vandalism due to the highest quality materials
- Exceptional durability and reliability
- Italian product
- Simple operation
- Easy assembly
- PZH certificate, CE declaration

Connector	1/2"
Design	Chrome plated brass
Tilt adjustment	10 to 30 degrees
Contains	Spout, mounting kit



Wall-mounted shower spout with a movable strainer. The spout housing is made of chrome-plated brass. On the other hand, the built-in strainer is made of plastic, the inclination range of the strainer can be set from 10 to 30 degrees. The spout has one connection measuring G1 / 2. The water connection temperature can be 5-65 ° C with a recommended flow pressure of 2-4 bar.