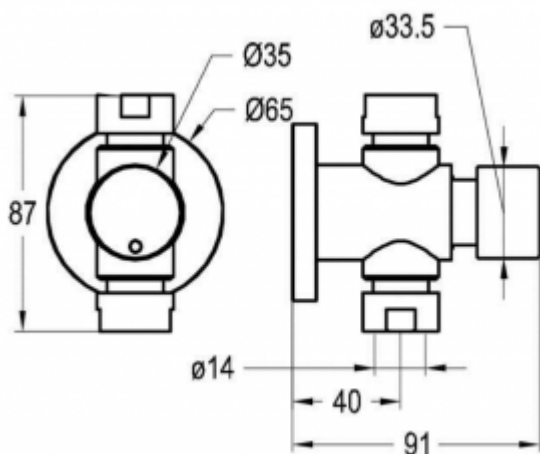




Shower valve 9006INOX

- High resistance to vandalism due to the highest quality materials
- Exceptional durability and reliability
- The product is entirely made in the European Union
- Simple operation
- Easy assembly
- AISI 316 stainless steel brushed external parts
- Push button control
- Self-closing time 15 secs at 3 bars (not adjustable)

Design	AISI 316 stainless steel brushed finishing body
Water time flow	Standard from 30 to 50 seconds \pm 1 second
Start	By means of the button
Water pressure reductor	Up to 6l/min.
Spout	No



Shower timer for exposed installation. Most often used in places with only devices adapted to surface water supply. Self-closing time 15 secs at 3 bars (not adjustable). The body of the shower timer is made of AISI 316 stainless steel with brushed external parts.