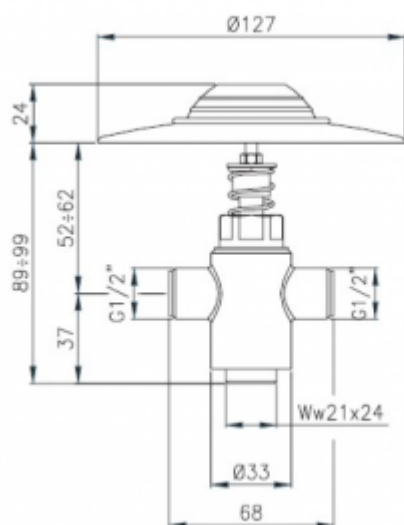




## Time valve 9009

- The body with the masking rosette made of chrome-plated brass
- Button equipped with a thick rubber cover
- Water pressure reduction
- High resistance to vandalism due to the highest quality materials
- Exceptional durability and reliability
- Italian product
- Simple operation
- Easy assembly
- PZH certificate, CE declaration

Option	For cold water
Connector	3/4"
Mixer	None
Design	Vandal resistant - chrome plated brass
Water time flow	Standard from 4-12 seconds $\pm$ 1 second
Contains	Valve, mounting kit, masking rosette



Concealed floor-mounted self-closing pedal tap for general use. The faucet consists of a body made of brass, with a chrome plate and a water flow switch covered with black rubber. The 9009 time battery has one G1 connection for cold or mixed water and one G1 / 2 connection. One rush of water takes about 6 seconds  $\pm$  2 seconds. The amount of water consumed is approximately 12 l / m at a working water pressure of 3 bar. The water connection temperature should be within the range of 5-65 ° C. On the other hand, the water connection pressure can be in the range of 0.5 - 6 bar, with the recommended pressure being 2-4 bar. A factory mounting kit is included with each 9009 floor mixer. What's more, the whole thing is certified by the Polish Institute of Hygiene, CE Declaration of Conformity and the National Declaration of Performance.