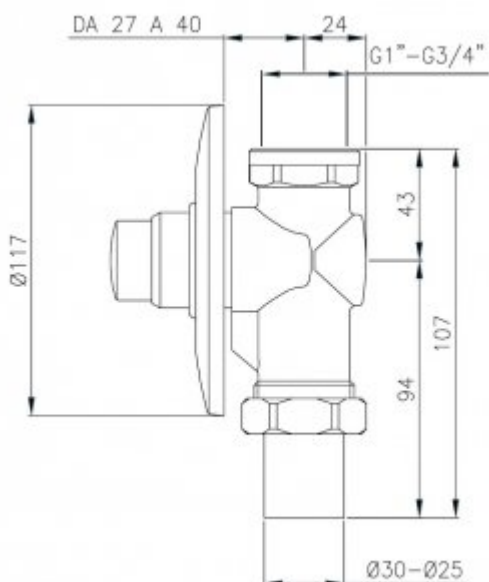




## Time valve 9455

- Impact system
- The body with the masking rosette made of chrome-plated brass
- High resistance to vandalism due to the highest quality materials
- Exceptional durability and reliability
- The product is entirely made in the European Union
- Simple operation
- Easy assembly
- PZH certificate, CE declaration .

Option	For cold water
Connector	3/4"/1&HASH39;
Mixer	None
Design	Vandal resistant - chrome plated brass
Water time flow	Standard from 3 - 5 seconds $\pm$ 1 second
Start	By means of the button
Contains	Valve, mounting kit, masking rosette



WC timer, concealed. Designed for toilet bowls with concealed supply. Equipped with anti-impact system eliminating "hydraulic shock" when closing the valve.  
Hydraulic shock - a sudden increase in pressure associated with rapid stoppage of water flow, for example by suddenly closing the valve.