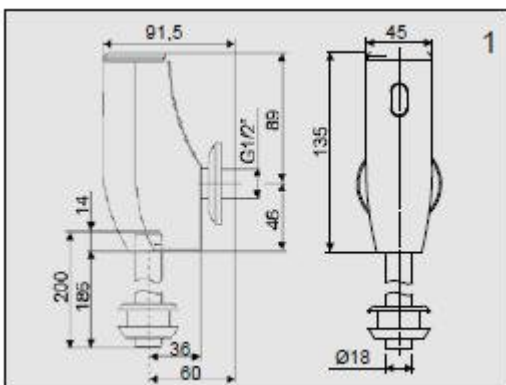




## Electric valve 3305B

- CRP2 6V battery
- wall-mounted
- solid brass body covered with chrome
- automatic flush
- vandal-resistant
- durability and reliability
- made in EU
- easy to use
- easy to montage
- PZH and CE certificate

Power	battery CRP 2 6 V
Connectro	1 x 1/2"
Manual flushing	no
Design	Vandal-resistant- brass body covered with chrome
Water time flow	11 sec.
Start	Photocell
Sensor range	40 cm
Contains	Body with electronics, solenoid, mounting kit. Does not contain CRP2 6V



Contactless battery for urinal flush. Wall-mounted. Designed for public units and offices.