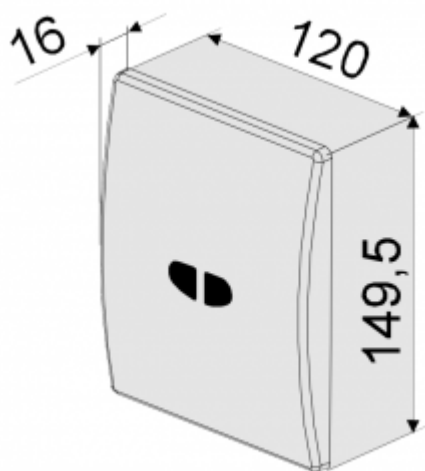




## Electric kit 3307

- Made of high-class material, white
- Effective look
- Automatic flush
- Vandal-resistant
- Durability and reliability
- Made in EU
- Easy to use and montage
- PZH and CE certificate

Connector	2 x 1/2"
Hand flush	no
Design	vandal-resistant
Water time flow	40l/min
Start	Photocell
Sensor range	55 cm
Contains	Motherboard with electronics, concealed frame, mounting box, solenoid block, mounting kit.



A contactless urinal set is an indispensable element of any public bathroom. The presented set consists of a frame and a touchless battery. The frame is a product made of powder coated steel. Its dimensions are 1120 x 525 x 98mm. It has 4 fixing points and, importantly, it is designed for installation in a dry plaster system or for installation in front of a solid wall. In addition, it is worth noting that the steel frame is intended for the installation of contactless electronics and time valves with a manually operated button. In addition to the aforementioned rack, the contactless set includes a urinal faucet 3302. The said faucet is a contactless fitting acting on a photocell. The range of the photocell sensor is min. 50 cm, while the time of detection of a person standing in front of the battery is at least 4 seconds. It is worth adding here that the battery does not react to people passing by. The front part of the 3302 battery housing has a cover made of stainless steel. Moreover, the faucet has a dirt filter and an automatic flushing system (every 12 hours after the last rinsing). There are two options for powering the urinal set:

- 3307R, via a 230V AC / 6V DC power supply;
- 3307B, using a 6V battery.