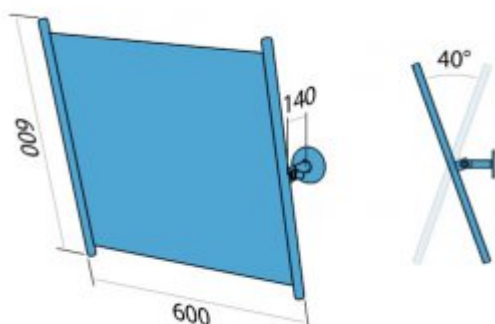




Tilting mirror in side frame 60/60 PSP 801/ PSM 801

- Two finishing options available: glossy (PSP 801) or mat (PSM 801)
- Smooth edges to prevent accidental catching and cuts
- Masking rosettes with a snap system
- Adjustable inclination angle
- Made of AISI 304 stainless steel, resistant to corrosion, rust and some acids
- Can be installed in rooms exposed to moisture
- Mounting kit included
- Easy to clean
- Certificate of the Polish Institute of Hygiene
- CE declaration of conformity
- National Declaration of Performance

Material	AISI 304 stainless steel
Finish	Gloss (PSP 801) or mat (PSM 801)
Handrail type	Basin left
Tube diameter	Ø 32 mm
The wall thickness :	1,5 mm
Maximum capacity	120 kg
Hole diameter	Ø 8 mm
Number of fixing holes:	9
Includes	6x65 mm screws, 8x65 mm plugs



Tilting mirror for people with disabilities in the side arm, AISI stainless steel in two surface variants: matt or gloss. Ramustra has the dimensions of 600 x 600 (the mirror pane has dimensions of 546 x 440 mm, and the thickness of its pipe is 120 µ mm and it is made of a 25 mm steel tube with a wall thickness of 1.5 mm. Durable support shown for permanent assembly under repair. It has been equipped with masking rosettes with a snap system, which allows the installation of a masking rosette without mounting adhesive.

What's more, it is possible to adjust the inclination, which is an additional convenience for the disabled. It is also important to note that the mirror is accompanied by a user manual and a warranty card. CE declaration of conformity and the National Declaration of Performance.