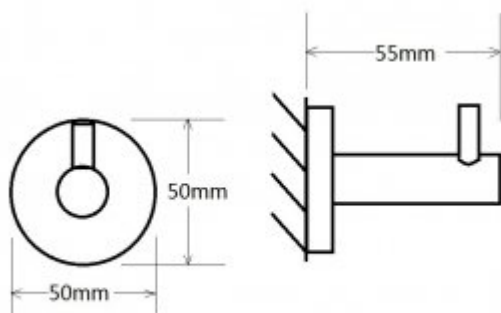




Bathroom hanger H1A

- Modern design
- Great workmanship
- Simple assembly
- Long-lasting performance

Material	Stainless steel AISI 304
Finish	Black
Dimensions	50 x 55 mm
Assembly	Wall



Double bathroom hanger. Mounted to the wall with screws. Made of stainless steel. Finish: black.